

## Simple Synchronous Buck Converter Design - MCP1612

Author: *Cliff Ellison*  
Microchip Technology Inc.

### INTRODUCTION

The density of portable electronic equipment requires the design engineer to pay particular attention to a number of important design parameters. For the power conversion circuitry, two of these parameters are the efficiency and the total circuitry footprint. Keeping the efficiency high extends battery life and controls the temperature rise of the equipment. Limiting the circuitry footprint helps minimize the size of the Printed Circuit Board (PCB) and, ultimately, the total cost of the device.

The MCP1612 is an ideal choice for such a design. Since both the switching and synchronous MOSFETs are internal and switching is 1.4 MHz, the inductor, input and output capacitor size is minimized. The output voltage is set by using a simple resistor divider, with a high-bandwidth loop being accomplished by a series resistor capacitor to ground. Efficiencies of 90% and a typical shutdown current of 0.01  $\mu$ A help to extend battery life.

This Application Note contains all of the information needed to design a synchronous buck converter using the MCP1612. It also contains a real-world design example with measured laboratory data.

### POWER COMPONENT DESIGN

The design of the power components for the MCP1612 is made easier because the switching and synchronous MOSFETs are internal. The output filter inductor and capacitor are the only two power components that need to be selected.

#### Buck Inductor

The inductance and current-carrying capability of the buck inductor or output filter inductor is very easy and straightforward to calculate. The size of the inductor is selected such that a certain ripple current is achieved. As will be shown later, the amount of allowable ripple current determines the amount of output ripple voltage present at the converter load.

Solving the standard inductor equation for inductor ripple current ( $\Delta I_L$ ) yields:

$$\Delta I_L = \frac{V_L}{L} \times \Delta T$$

Where:

$V_L$  = voltage across the inductor ( $V_{IN} - V_{OUT}$ )

$L$  = value of inductance

$\Delta T$  = on-time of switching MOSFET

When operating in Continuous Conduction mode (meaning the inductor current never goes to zero), the on-time ( $\Delta T$ ) of the P-channel MOSFET is determined by multiplying the duty cycle by the switching period. Using the output voltage ( $V_{OUT}$ ) to input voltage ( $V_{IN}$ ) relationship, the duty cycle yields:

$$DutyCycle = \frac{V_{OUT}}{V_{IN}}$$

Therefore, it follows that  $\Delta T$  is:

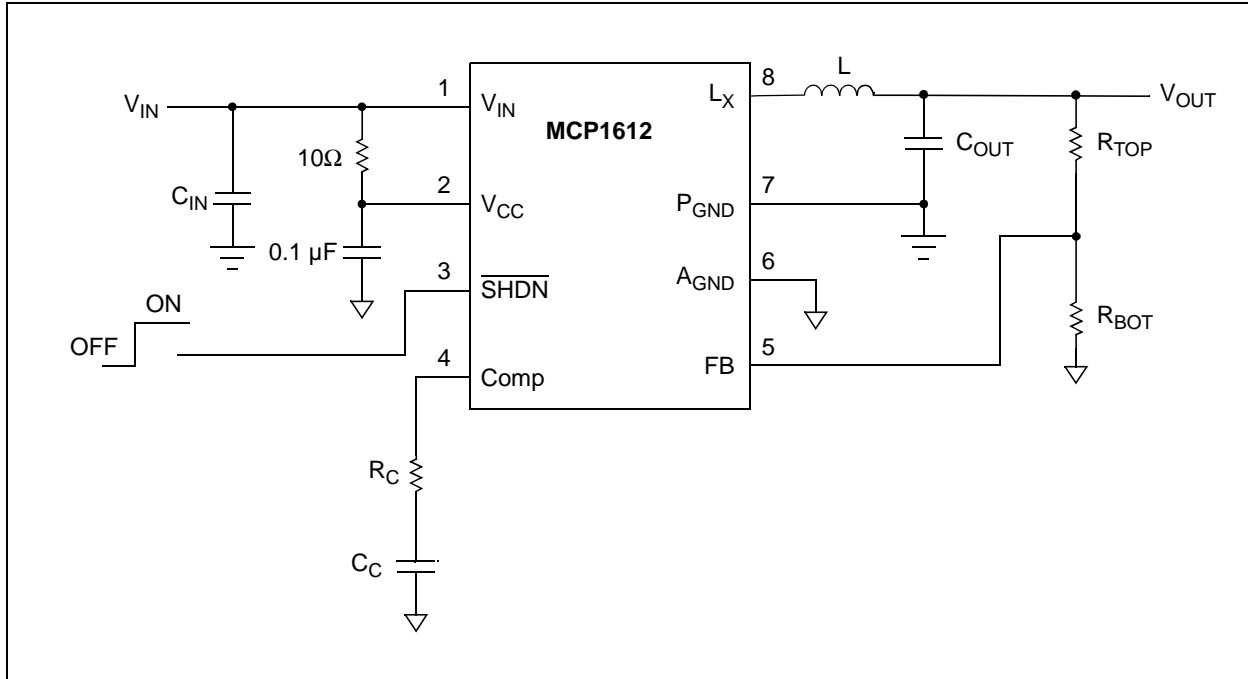
$$\Delta T = DutyCycle \times \frac{1}{F_{SW}}$$

Where:

$F_{SW}$  = switching frequency

Most inductor manufacturers specify the peak current that an inductor can support before the inductance drops by a given percentage.  $\Delta I_L$  should be re-evaluated if the inductance drops by a large percentage because of its peak current. The peak inductor current is calculated by:

$$I_{L(PEAK)} = I_{OUT(MAX)} + \left(\frac{1}{2} \times \Delta I_L\right)$$



**FIGURE 1:** Typical Application Schematic.

## Output Capacitor

The MCP1612 is designed to allow the use of ceramic, tantalum or aluminum electrolytic capacitors as output filter capacitors. The output capacitor is chosen to meet the output ripple specification and to provide storage for load transients. The value of the capacitance is not the only parameter of the capacitor that determines ripple voltage. All capacitors have an Equivalent Series Resistance (ESR) that contributes to the ripple voltage. Ceramic capacitors have the lowest ESR, but increase in cost with higher capacitance values. Aluminum electrolytic and tantalum capacitors are relatively inexpensive in higher capacitance values, but they also have a much higher ESR.

Solving the standard capacitor equation for the output ripple voltage ( $\Delta V_C$ ) yields:

$$\Delta V_C = \frac{I_C \times \Delta T}{C_{OUT}}$$

Where:

$I_C$  = peak-to-peak ripple current

$\Delta T$  = on-time of P-channel MOSFET

$\Delta V_C$  = output ripple voltage

As previously stated, the capacitor ESR also contributes to the output ripple voltage. This ripple voltage ( $V_{ESRRIPPLE}$ ) is defined as:

$$V_{ESRRIPPLE} = I_C \times ESR$$

## SETTING OUTPUT VOLTAGE

The output voltage of the MCP1612 is easily set by the use of an external resistor divider network. The divided-down output voltage is internally compared to a 0.8V reference. The output voltage can be set to any voltage between 0.8V and  $V_{IN}$ .

A resistor value of 200 kΩ or lower is recommended for  $R_{BOT}$ , the lower end of the resistor divider. If a higher-value resistor is used, the circuit will become more susceptible to noise at the feedback pin. The top resistor ( $R_{TOP}$ ) of the resistor divider is easily calculated by using the following equation:

$$R_{TOP} = R_{BOT} \times \left( \frac{V_{OUT}}{V_{FB}} - 1 \right)$$

Where:

$V_{OUT}$  = desired output voltage

$V_{FB}$  = MCP1612 internal reference voltage

$R_{TOP}$  = top resistor value

$R_{BOT}$  = bottom resistor value

## INPUT AND $V_{CC}$ FILTER

### Input Capacitor

The input current in a buck topology is pulled from the source and input capacitor in pulses. The size of the input capacitor determines the amount of peak current that is pulled from the source. The input capacitor also reduces the amount of voltage ripple present at the input to the converter.

The value of the input capacitor can be calculated the same way as the output capacitor. A capacitance value is chosen and the corresponding ripple voltage is calculated. For most applications, a 10  $\mu\text{F}$  ceramic capacitor connected between the  $V_{IN}$  and  $P_{GND}$  pins of the MCP1612 is recommended to filter the current pulses. A lower-value capacitor can be used in applications that have a low source impedance. Ceramic or aluminum electrolytic capacitors can be used, but the capacitor ripple current rating should not be exceeded.

### $V_{CC}$ Filter

The  $V_{CC}$  pin provides bias for the internal analog circuitry. It is important that this voltage stay free of line transients and, therefore, it is recommended that a separate filter be used for this voltage. Placing a 10 $\Omega$  resistor between  $V_{IN}$  and  $AV_{CC}$  and a 0.1  $\mu\text{F}$  capacitor between  $V_{CC}$  and  $AGND$  is sufficient to filter any high-frequency line transients on  $V_{IN}$  caused by the MCP1612 switching.

## COMPENSATION COMPONENTS

The MCP1612 is a peak current mode buck controller and, therefore, it does not exhibit the second-order effects associated with the L-C output filter as with a voltage mode controller. Since a transconductance error amplifier is used, a simple resistor and capacitor connected from the output of the amplifier to ground is all that is needed to provide a stable, high-bandwidth control loop.

Table 1 shows values for  $R_C$  and  $C_C$  for standard circuit parameters. The values provide a stable control loop over the entire MCP1612 input voltage, output voltage and output current range.

**TABLE 1: GENERAL CIRCUIT PARAMETERS**

L	$C_{OUT}$	$R_C$	$C_C$
3.3 $\mu\text{H}$	10.0 $\mu\text{F}$	22 $\text{k}\Omega$	1000 pF
2.2 $\mu\text{H}$	4.7 $\mu\text{F}$	12 $\text{k}\Omega$	1000 pF

## JUNCTION TEMPERATURE RISE

The MCP1612 is packaged in both an 8-pin MSOP and a thermally-enhanced, 8-pin DFN. The junction temperature rise above ambient of the MCP1612 is determined by multiplying the internal power dissipation by the thermal resistance of the package as shown:

$$T_{RISE} = P_{INT} \times \theta_{JA}$$

Where:

$P_{INT}$  = MCP1612 internal power dissipation

$\theta_{JA}$  = package thermal resistance

It is important to note that the package thermal resistance is specified for an assumed PCB layout consisting of four layers with 1 oz. copper on the internal layers, 2 oz. copper on the external layers and exposed vias connecting the layers. The thermal resistance will be higher for a PCB that is constructed with less layers, less copper weight or fewer vias.

It can be assumed that the difference between the input power ( $P_{IN}$ ) and the output power ( $P_{OUT}$ ) is the power lost in the MCP1612 ( $P_{INT}$ ) and in the buck inductor,  $P_{IND}$ . Neglecting the small amount of core loss, the power lost in the buck inductor is defined by the following equation:

$$P_{IND} = I_{I(PEAK)}^2 \times R_{IND}$$

Where:

$R_{IND}$  = inductor winding resistance

## PORTABLE/LOAD-SHED APPLICATIONS

The switching frequency, efficiency, package size and extremely low shutdown current make the MCP1612 perfectly suited for portable applications or load-shed applications. Couple the 1.4 MHz switching frequency that allows the use of small inductors, and filter capacitors with the 8-pin MSOP or the space-saving 8-pin DFN package and a 1A buck converter that fits into the most space constrained designs is achievable.

When the MCP1612 is disabled by grounding the shutdown pin ( $\overline{\text{SHDN}}$ ), the current draw is only 0.01  $\mu\text{A}$ , typical. If the load cannot be shed, the quiescent current ( $I_Q$  ( $I_{OUT} = 0 \text{ mA}$ )) is only 5 mA, typical. Both of these low-current draw modes, along with the high efficiency, extend battery life.

## PRACTICAL DESIGN EXAMPLE

A buck converter with the following design parameters will be designed using the MCP1612. A schematic of the circuit appears in Figure 1.

$$V_{IN} = 2.7V - 4.5V$$

$$V_{OUT} = 1.8V$$

$$V_{OUT\_RIPPLE} < 15\text{ mV}$$

$$I_{OUT} = 0 - 1A$$

The switching frequency ( $F_{SW}$ ) of the MCP1612 is 1.4 MHz. The worst-case inductor ripple current is when  $V_{IN}$  is at its maximum. The inductor and output capacitor must be sized for this worst-case condition. Therefore:

$$\text{Duty Cycle} = \frac{1.8}{4.5} = 0.400$$

$$\Delta T = 0.40 * 1/1.4\text{ MHz} = 286\text{ ns}$$

Select  $L = 3.3\ \mu\text{H}$ :

$$\Delta I_L = ((4.5-1.8)/3.3\ \mu\text{H}) * 286\text{ ns} = 234\text{ mA}$$

$$I_{L(\text{PEAK})} = 1 + (1/2 * 234\text{ mA}) = 1.12A$$

The  $3.3\ \mu\text{H}$  inductor yields an acceptable ripple current of about 20% at maximum  $I_{OUT}$ . The inductor must be able to withstand a peak current of 1.12A.

Using an output capacitor ( $C_{OUT}$ ) of  $10\ \mu\text{F}$  yields an approximate output ripple voltage of:

$$\Delta V_C = (234\text{ mA} * 286\text{ ns})/10\ \mu\text{F} = 6.68\text{ mV}$$

$$V_{ESRRIPPLE} = 234\text{ mA} * 10\ \text{m}\Omega = 2.34\text{ mV}$$

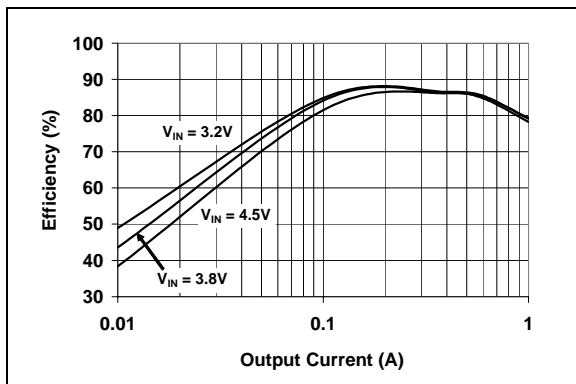
$$\Delta V_{OUT} = 6.68\text{ mV} + 2.34\text{ mV} = 9.02\text{ mV}$$

Since the output voltage is compared to the 0.8V internal reference voltage, a resistor divider needs to be designed. Selecting  $R_{BOT} = 200\ \text{k}\Omega$ , the top resistor ( $R_{TOP}$ ) is:

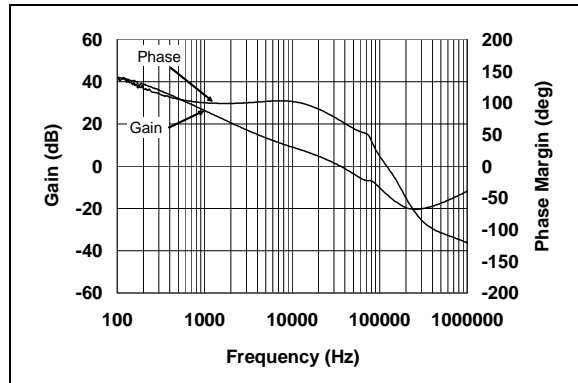
$$R_{TOP} = 200\ \text{k}\Omega * (1.8/0.8 - 1) = 250\ \text{k}\Omega$$

The input capacitor ( $C_{IN}$ ) is selected to be  $10\ \mu\text{F}$ . This provides adequate filtering on the input.

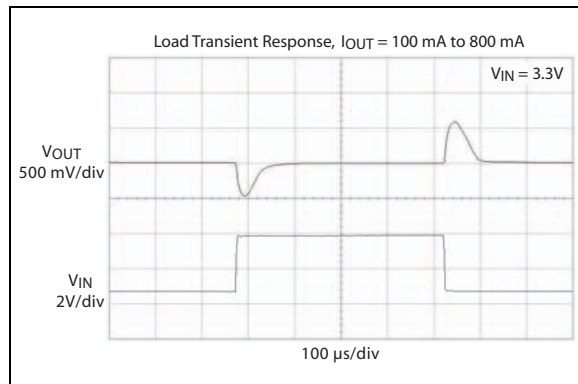
Figure 2 through Figure 5 show lab performance of the buck converter built with the components selected above and compensation values for  $R_C$  and  $C_C$  of  $22\ \text{k}\Omega$  and  $1000\ \text{pF}$ , respectively. Unless otherwise noted,  $V_{IN} = 3.3V$ ,  $V_{OUT} = 1.8V$  and  $I_{OUT} = 500\ \text{mA}$ .



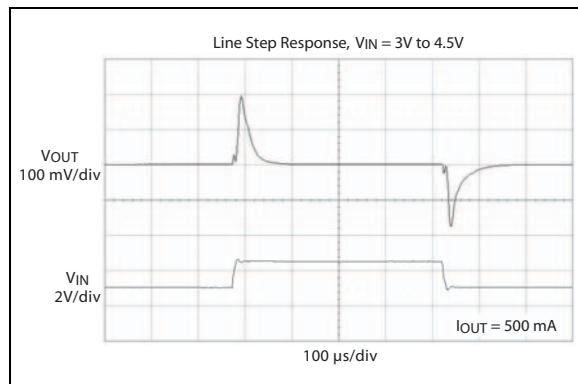
**FIGURE 2:** Converter Efficiency.



**FIGURE 3:** System Bode Plot.



**FIGURE 4:** Load Transient Response.



**FIGURE 5:** Line Step Response.

## CONCLUSION

Designing with the MCP1612 is very simple and straightforward. The buck inductor, output filter capacitor and resistor divider network are the only components that need to be calculated.

The integrated switching and synchronous MOSFETs, as well as the 1.4 MHz switching speed, make the MCP1612 buck controller an ideal solution for a space-contained design. The output voltage is set by a simple resistor divider and a series resistor capacitor is all that is required for a high-bandwidth control loop.

---

**Note the following details of the code protection feature on Microchip devices:**

- Microchip products meet the specification contained in their particular Microchip Data Sheet.
- Microchip believes that its family of products is one of the most secure families of its kind on the market today, when used in the intended manner and under normal conditions.
- There are dishonest and possibly illegal methods used to breach the code protection feature. All of these methods, to our knowledge, require using the Microchip products in a manner outside the operating specifications contained in Microchip's Data Sheets. Most likely, the person doing so is engaged in theft of intellectual property.
- Microchip is willing to work with the customer who is concerned about the integrity of their code.
- Neither Microchip nor any other semiconductor manufacturer can guarantee the security of their code. Code protection does not mean that we are guaranteeing the product as "unbreakable."

Code protection is constantly evolving. We at Microchip are committed to continuously improving the code protection features of our products. Attempts to break Microchip's code protection feature may be a violation of the Digital Millennium Copyright Act. If such acts allow unauthorized access to your software or other copyrighted work, you may have a right to sue for relief under that Act.

---

Information contained in this publication regarding device applications and the like is provided only for your convenience and may be superseded by updates. It is your responsibility to ensure that your application meets with your specifications. MICROCHIP MAKES NO REPRESENTATIONS OR WARRANTIES OF ANY KIND WHETHER EXPRESS OR IMPLIED, WRITTEN OR ORAL, STATUTORY OR OTHERWISE, RELATED TO THE INFORMATION, INCLUDING BUT NOT LIMITED TO ITS CONDITION, QUALITY, PERFORMANCE, MERCHANTABILITY OR FITNESS FOR PURPOSE. Microchip disclaims all liability arising from this information and its use. Use of Microchip's products as critical components in life support systems is not authorized except with express written approval by Microchip. No licenses are conveyed, implicitly or otherwise, under any Microchip intellectual property rights.

**Trademarks**

The Microchip name and logo, the Microchip logo, Accuron, dsPIC, KEELOQ, microID, MPLAB, PIC, PICmicro, PICSTART, PRO MATE, PowerSmart, rfPIC, and SmartShunt are registered trademarks of Microchip Technology Incorporated in the U.S.A. and other countries.


AmpLab, FilterLab, Migratable Memory, MXDEV, MXLAB, PICMASTER, SEEVAL, SmartSensor and The Embedded Control Solutions Company are registered trademarks of Microchip Technology Incorporated in the U.S.A.

Analog-for-the-Digital Age, Application Maestro, dsPICDEM, dsPICDEM.net, dsPICworks, ECAN, ECONOMONITOR, FanSense, FlexROM, fuzzyLAB, In-Circuit Serial Programming, ICSP, ICEPIC, MPASM, MPLIB, MPLINK, MPSIM, PICkit, PICDEM, PICDEM.net, PICLAB, PICtail, PowerCal, PowerInfo, PowerMate, PowerTool, rLAB, rfPICDEM, Select Mode, Smart Serial, SmartTel and Total Endurance are trademarks of Microchip Technology Incorporated in the U.S.A. and other countries.

SQTP is a service mark of Microchip Technology Incorporated in the U.S.A.

All other trademarks mentioned herein are property of their respective companies.

© 2005, Microchip Technology Incorporated, Printed in the U.S.A., All Rights Reserved.

 Printed on recycled paper.

**QUALITY MANAGEMENT SYSTEM**  
**CERTIFIED BY DNV**  
**== ISO/TS 16949:2002 ==**

*Microchip received ISO/TS-16949:2002 quality system certification for its worldwide headquarters, design and wafer fabrication facilities in Chandler and Tempe, Arizona and Mountain View, California in October 2003. The Company's quality system processes and procedures are for its PICmicro® 8-bit MCUs, KEELOQ® code hopping devices, Serial EEPROMs, microperipherals, nonvolatile memory and analog products. In addition, Microchip's quality system for the design and manufacture of development systems is ISO 9001:2000 certified.*



---

---

## WORLDWIDE SALES AND SERVICE

---

---

### AMERICAS

#### Corporate Office

2355 West Chandler Blvd.  
Chandler, AZ 85224-6199  
Tel: 480-792-7200  
Fax: 480-792-7277  
Technical Support:  
<http://support.microchip.com>  
Web Address:  
[www.microchip.com](http://www.microchip.com)

#### Atlanta

Alpharetta, GA  
Tel: 770-640-0034  
Fax: 770-640-0307

#### Boston

Westford, MA  
Tel: 978-692-3848  
Fax: 978-692-3821

#### Chicago

Itasca, IL  
Tel: 630-285-0071  
Fax: 630-285-0075

#### Dallas

Addison, TX  
Tel: 972-818-7423  
Fax: 972-818-2924

#### Detroit

Farmington Hills, MI  
Tel: 248-538-2250  
Fax: 248-538-2260

#### Kokomo

Kokomo, IN  
Tel: 765-864-8360  
Fax: 765-864-8387

#### Los Angeles

Mission Viejo, CA  
Tel: 949-462-9523  
Fax: 949-462-9608

#### San Jose

Mountain View, CA  
Tel: 650-215-1444  
Fax: 650-961-0286

#### Toronto

Mississauga, Ontario,  
Canada  
Tel: 905-673-0699  
Fax: 905-673-6509

### ASIA/PACIFIC

#### Australia - Sydney

Tel: 61-2-9868-6733  
Fax: 61-2-9868-6755

#### China - Beijing

Tel: 86-10-8528-2100  
Fax: 86-10-8528-2104

#### China - Chengdu

Tel: 86-28-8676-6200  
Fax: 86-28-8676-6599

#### China - Fuzhou

Tel: 86-591-8750-3506  
Fax: 86-591-8750-3521

#### China - Hong Kong SAR

Tel: 852-2401-1200  
Fax: 852-2401-3431

#### China - Shanghai

Tel: 86-21-5407-5533  
Fax: 86-21-5407-5066

#### China - Shenyang

Tel: 86-24-2334-2829  
Fax: 86-24-2334-2393

#### China - Shenzhen

Tel: 86-755-8203-2660  
Fax: 86-755-8203-1760

#### China - Shunde

Tel: 86-757-2839-5507  
Fax: 86-757-2839-5571

#### China - Qingdao

Tel: 86-532-502-7355  
Fax: 86-532-502-7205

### ASIA/PACIFIC

#### India - Bangalore

Tel: 91-80-2229-0061  
Fax: 91-80-2229-0062

#### India - New Delhi

Tel: 91-11-5160-8631  
Fax: 91-11-5160-8632

#### Japan - Kanagawa

Tel: 81-45-471- 6166  
Fax: 81-45-471-6122

#### Korea - Seoul

Tel: 82-2-554-7200  
Fax: 82-2-558-5932 or  
82-2-558-5934

#### Singapore

Tel: 65-6334-8870  
Fax: 65-6334-8850

#### Taiwan - Kaohsiung

Tel: 886-7-536-4818  
Fax: 886-7-536-4803

#### Taiwan - Taipei

Tel: 886-2-2500-6610  
Fax: 886-2-2508-0102

#### Taiwan - Hsinchu

Tel: 886-3-572-9526  
Fax: 886-3-572-6459

### EUROPE

#### Austria - Weis

Tel: 43-7242-2244-399  
Fax: 43-7242-2244-393

#### Denmark - Ballerup

Tel: 45-4450-2828  
Fax: 45-4485-2829

#### France - Massy

Tel: 33-1-69-53-63-20  
Fax: 33-1-69-30-90-79

#### Germany - Ismaning

Tel: 49-89-627-144-0  
Fax: 49-89-627-144-44

#### Italy - Milan

Tel: 39-0331-742611  
Fax: 39-0331-466781

#### Netherlands - Drunen

Tel: 31-416-690399  
Fax: 31-416-690340

#### England - Berkshire

Tel: 44-118-921-5869  
Fax: 44-118-921-5820